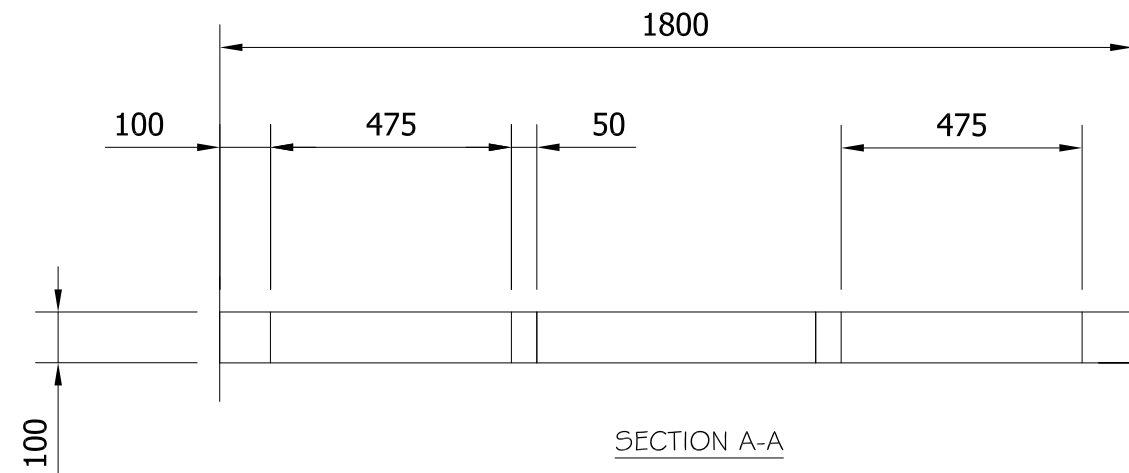


TIMBER SIZES CAN VARY*
ALWAYS MAKE SURE YOU MEASURE THE SIZE
AND ADJUST THE DIMENSIONS TO SUIT THE
OVERALL DIMENSIONS OF THE PLAN.



FIXINGS

- FOR CORNERS, INTEREMDIATES & NOGGINS USE: FORGEFAST 7 x 150mm (50 pack) or similar (available @ toolstation and other D.I.Y. outlets. These do not require pilot holes & use a TORX bit.
16 screws required
- For Eco Feet USE: FORGEFAST 7 x 65mm (50 pack) or similar. Note hole diameter in Eco Feet base are 8mm.
32 screws required

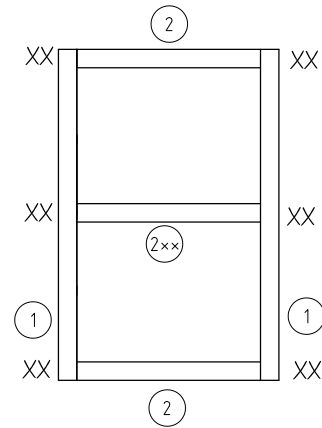
Rev.	Date	Description
A	21.01.21	FOR CLIENT APPROVAL
Drawing Title		
6 x 4 TIMBER SHED FRAME (1.8m x 1.2m) HEAVY DUTY		
Scales: 1:7.5		Date: Jan 2021
Drawn: GJW		
Job No. 210121 A1		Drawing No. 01 A

Stage 1 - Timber Base Assembly

- Using the cutting sheet from drawing 1, identify all items for assembly.
- Lay out the long sides item 1 & shorter ends item 2 & roughly position on the ground. We suggest putting gash timber underneath to raise off ground. (See fig. A)



FIGURE A



PLAN ON TIMBER FRAME

NOTE:
The middle member 2** is only necessary for base frames 8'x6' and larger.
XX - Screw locations

- Additionally, you may wish to use extra gash timber on the top to keep corners together (See fig. B)
- Using the self drilling 150mm forgefaster timber screws, which do not require pilot holes, screw the corners together. (2 no. screws per corner - fig. B).



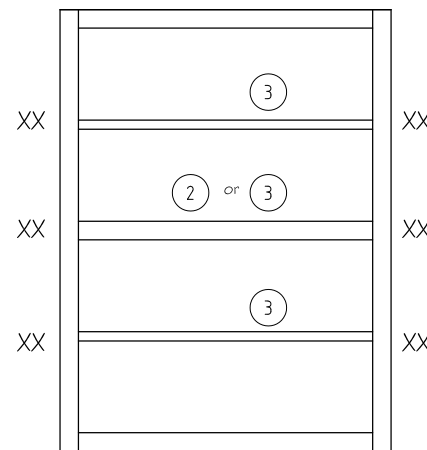
FIGURE B

Stage 2 - Timber Base Assembly

- Once all corners are secured, fit the intermediate timbers, (item 3), using the self drilling 150mm forgefaster timber screws. (2 no. screws per corner - fig. C). The frame for small sheds is NOW READY. Go to Stage 4



FIGURE C



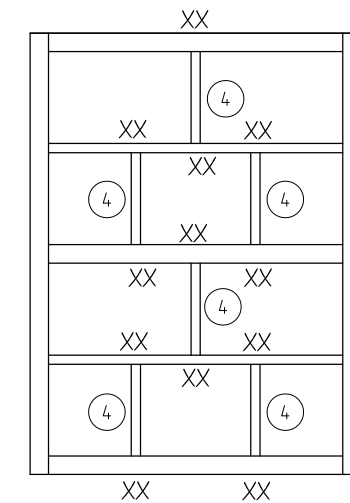
PLAN ON TIMBER FRAME

Stage 3 - Timber Base Assembly

- Once the intermediate members have been fitted, THE FRAME IS READY. However, on large frames (10 x 8) and Summerhouses, install the noggins, (item 4), using the self drilling 150mm forgefaster timber screws.



FIGURE C



PLAN ON TIMBER FRAME - LARGE BASE ONLY

Stage 4 - Timber Base Assembly

- Begin installing the Eco Feet Part A on each corner. (see fig. D). Use 65mm forgefaster timber screws or similar.
Note on frames 8'x6' it is necessary to install Eco Feet at the mid point for stability.
- Once the correct number of Eco Feet Part A have been installed, place / slide the Eco Feet Part B and let drop in place. (see fig. E)
- both the underside of the base plate Part A & the tube of Part B are in contact screw in the bolt which will hold them together during placing into the holes. (see figs. F & G)



FIGURE E
Eco Feet Part B installed



FIGURE D
Eco Feet Part A installed



FIGURE F
Bolt in position



FIGURE G
2 separate threaded holes (either can be used)

Stage 5 - Timber Base Assembly



Stage 6 - Timber Base Assembly



Stage 7 - Timber Base Assembly



Stage 8 - Timber Base Assembly



Stage 9 - Base ready for Shed Installation



Stage 10 - Shed Installed



Drawing Title
TIMBER BASE ASSEMBLY SHEET

Scales: 1:1 Date: NOV 2020

Drawn: GJW

A1 Job No. 210121 A1 Drawing No. 02 A